

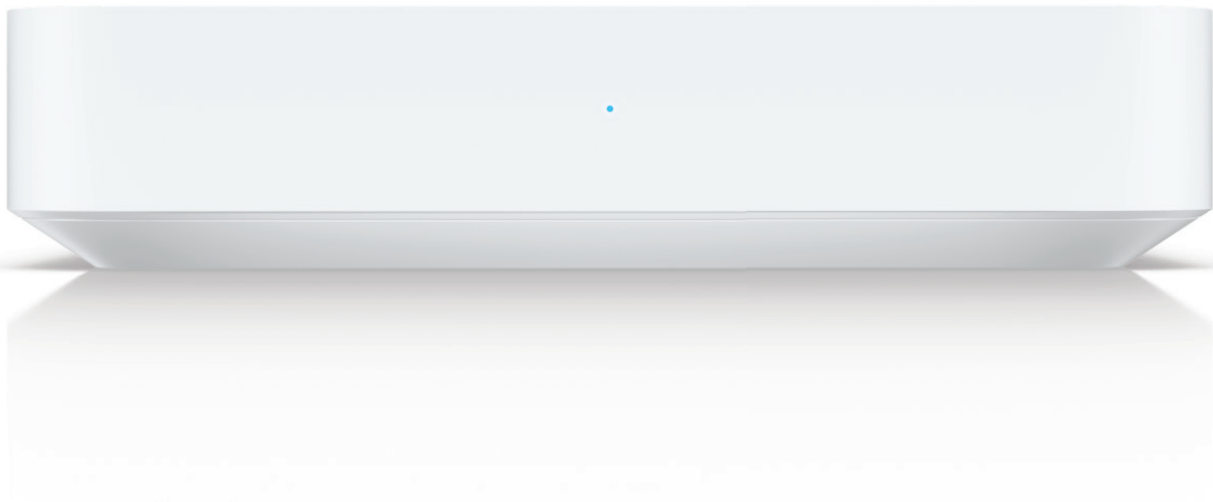
UniFi

Switch Flex  
Dataseet

MiRO

## UniFi - Gateway Max

SKU: UB-UXG-MAX



The compact, multi-WAN UniFi gateway with full 2.5 GbE support for high-performance networking at small-to-medium sites.

# UniFi - Gateway Max

SKU: UB-UXG-MAX

## Mechanical

Dimensions	141.8 x 127.6 x 30 mm (5.6 x 5 x 1.2")
Weight	520 g (1.1 lb)
Enclosure material	Polycarbonate
Resistance	IK04

## Hardware

Processor	Quad-core ARM® Cortex®-A53 at 1.5 GHz
Memory information	2 GB DDR4
Management interface	Ethernet Bluetooth
Networking interface	LAN: (4) 2.5 GbE RJ45 ports  WAN: (1) 2.5 GbE RJ45 port
Power method	USB type C (5V/3A)
Supported voltage range	100–240V
Max. power consumption	9.6W
LED	Ethernet White: link/activity
Button	(1) Factory reset
Ambient operating temperature	-10 to 40° C (14 to 104° F)
Ambient operating humidity	5 to 95% noncondensing
Certifications	CE, FCC, IC

# UniFi - Gateway Max

SKU: UB-UXG-MAX

## Gateway Features

### Performance

- WiFi QoS with UniFi APs
- Application, domain, and country-based QoS
- Application and device type identification
- Internet quality and outage reporting

### Next-generation security

- Application-aware firewall rules
- Signature-based IPS/IDS threat detection
- Content, country, domain, and ad filtering
- VLAN/subnet-based traffic segmentation
- Full stateful firewall

### Advanced networking

- License-free SD-WAN\*
- WireGuard, L2TP and OpenVPN server
- OpenVPN client
- OpenVPN and IPsec site-to-site VPN
- One-click Teleport\* and Identity Enterprise VPN\*\*
- Policy-based WAN and VPN routing
- DHCP relay
- Customizable DHCP server
- IPv6 ISP support

\*When paired with a Cloud Key or Official UniFi Hosting.

\*\*When paired with a Cloud Key.

## Application Requirements

### UniFi Network

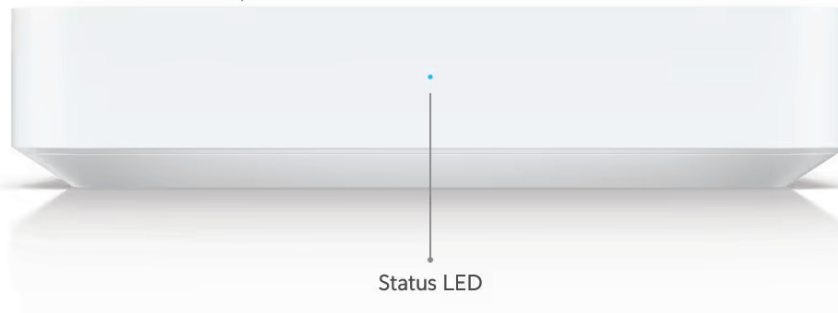
Version 8.1.113 and later

## UniFi - Gateway Max

SKU: UB-UXG-MAX

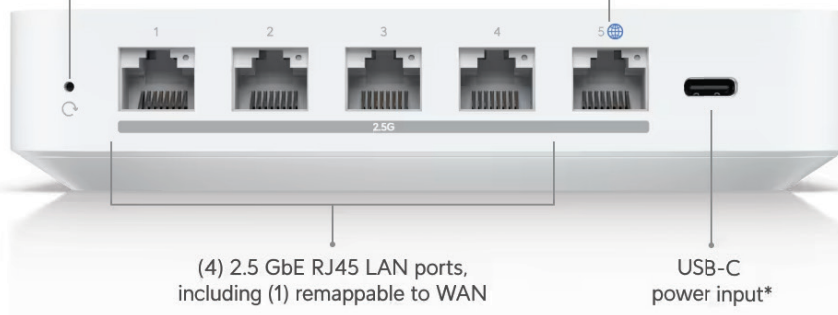
Managed with a CloudKey, Official UniFi Hosting,  
or UniFi Network Server

Compact plug-and-play  
design



Reset button

2.5 GbE RJ45  
WAN port



\*5V DC, 3A USB-C adapter included.